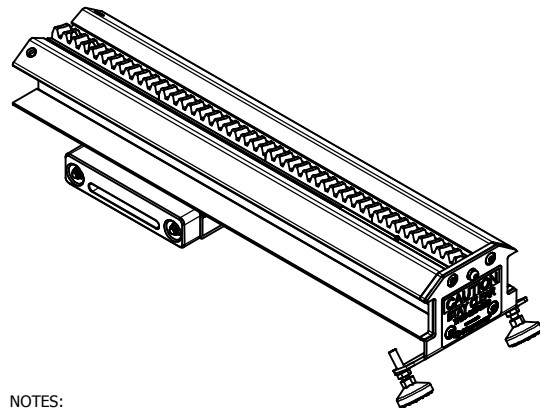
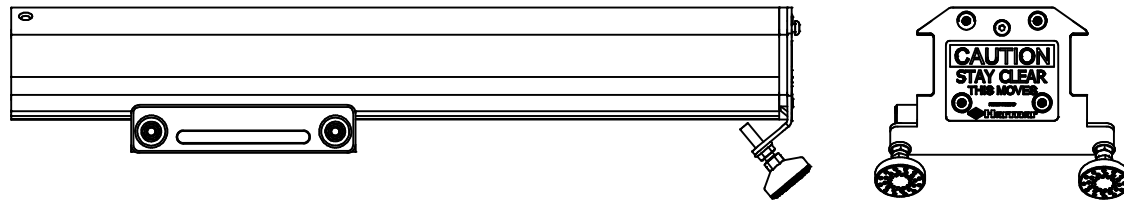
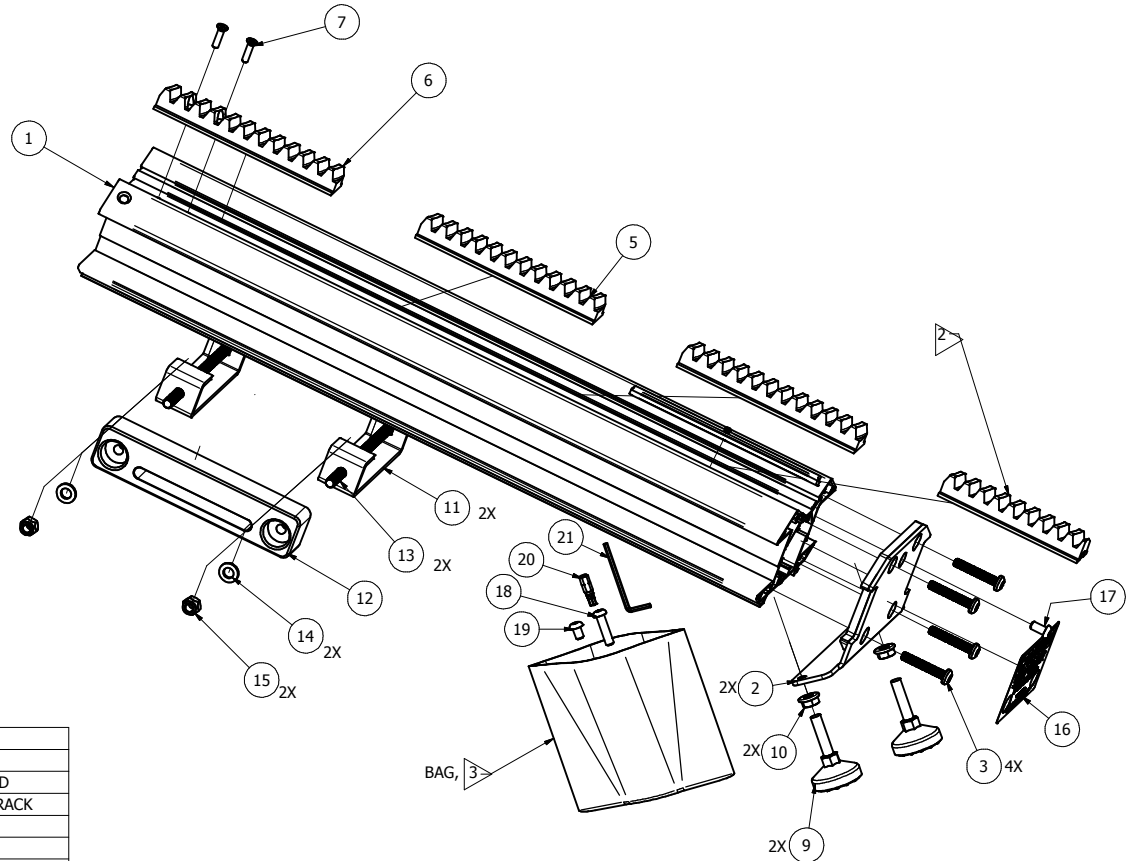


REVISION HISTORY				
ZONE	REV	DESCRIPTION	DATE	APPROVED
	A	ECO 055 NEW RELEASE	3/7/2011	RDH
	B	ECO 071, ADD ITEM #16	4/6/2011	RDH
	C	ECO 078, REDSGN ITM #11, #13, NOW 2X #11	5/5/2011	RDH
	D	ECO 117, ADD ITMS #17-#21; ADD NOTE 3	11/30/2011	RDH



NOTES:

1. THIS ASSEMBLY CAN BE PUT TOGETHER EITHER LEFT-HANDED (AS SHOWN) OR RIGHT-HANDED, WHICH WOULD BE THE MIRROR IMAGE OF WHAT'S SHOWN. ALL PARTS ARE INTERCHANGEABLE LEFT-RIGHT AND CUSTOMER ORDER WILL SPECIFY WHICH VERSION TO BUILD.
2. BOTTOM PIECE IF TRACK RACK, ITEM #5, SAW-CUT TO BEFORE INSTALLATION. LENGTH TO BE DETERMINED BY ASSEMBLER, BY ASSEMBLING AND MATCH-MARKING.
3. THOUGH SHOWN ASSEMBLED, ITEMS #9, JAM NUTS AND ITEMS #10, FEET ITEM #8, LIMIT CAM ASSY ITEM #8 AND THREE ITEMS #5 RAIL WORM RACK ALSO GO INTO PARTS BAG WITH ITEM #17, #18 AND #19, #20 AND #21 SHOWN.



PARTS LIST				
ITEM	QTY	PART NUMBER	DESCRIPTION	
1	1	75213	TRACK SECTION, FOLDING, LOWER, HINGED	
2	1	77209	WELDMENT, END PLATE FOOT, FOLDING TRACK	
3	4	10734	Screw, TX-PN-TCS, 1/4-20 x 1-1/2, Type 5	
5	3	3060	Rail Worm Rack	
6	1	75205	WORM RACK, DRILLED, RAIL END, PINC	
7	2	10305	Screw, 10-32x3/4", PH-FH-MS, ZP	
8	1	79048	ASSY, Limit Cam	
9	2	75035	SCREW FOOT, 5/16-18 X 2" POLY	
10	2	10059	Nut, HH-SR, 5/16-18, ZP	
11	2	75215	BRACKET, LOWER SLIDER, PFT	
12	1	75211	SLIDER BEARING, PIN FLDG TRACK	
13	2	10762	CARRIAGE BOLT, 5/16-18 X 5.5" ZNPT	
14	2	10050	Washer, Flat, 5/16", ZP	
15	2	10123	Nut, Nylon Lock, 5/16-18 ZP	
16	1	76026	LABEL, CAUTION, PIN FLD TRK	
17	1	10710	Screw, SKT-BH, 1/4-20 x 1/2"	
18	1	10764	Screw, SKT-BH, 1/4-20 x 1" BO	
19	1	10758	SCREW,SKT-BH,1/4-20X3/4, BO	
20	1	10767	TORX BIT, T30 X 1/4" HEX DRY	
21	1	10760	ALLEN WRENCH, 5/64	

DRAWN bob.hrenchir	3/7/2011		18505 E. 163rd St. Lake Winnebago, MO 64034 816-537-0611				
CHECKED			TITLE SUBASSY, LOWER FLDING SECTION, PIN FLD TRK				
This document is the property of Harmar and is delivered upon the express condition that the contents will not be disclosed or used without the written consent of Harmar.		THIRD ANGLE PROJECTION	Tolerance UNO X ±.1 .XX ±.01 .XXX ±.005 Holes ±.005 Ang ±.5°	SIZE C	FINISH	DWG NO 79204	REV D
SCALE		SHEET 1 OF 1					