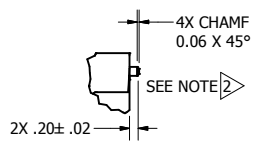
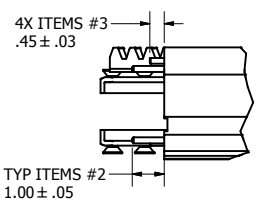
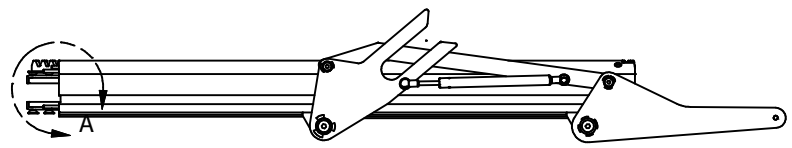
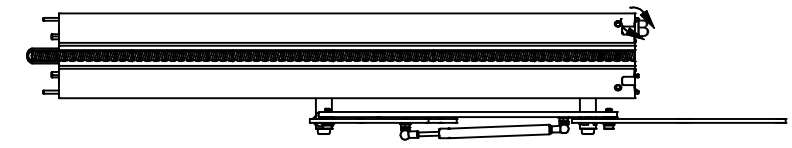


REVISION HISTORY				
ZONE	REV	DESCRIPTION	DATE	APPROVED
A		ECO 055 NEW RELEASE	3/7/2011	RDH
B		ECO 069, NEW VERSION OF ITEM #12	3/28/2011	RDH
C		ECO 078, CHG QTY ITMS #2, #3, ADD DETAILS A & B	5/9/2011	RDH
D		ECO 117, FIX P/NS ON BOM FOR ITEM #6, #12	11/16/2011	RDH



DETAIL B  
SCALE 1/2

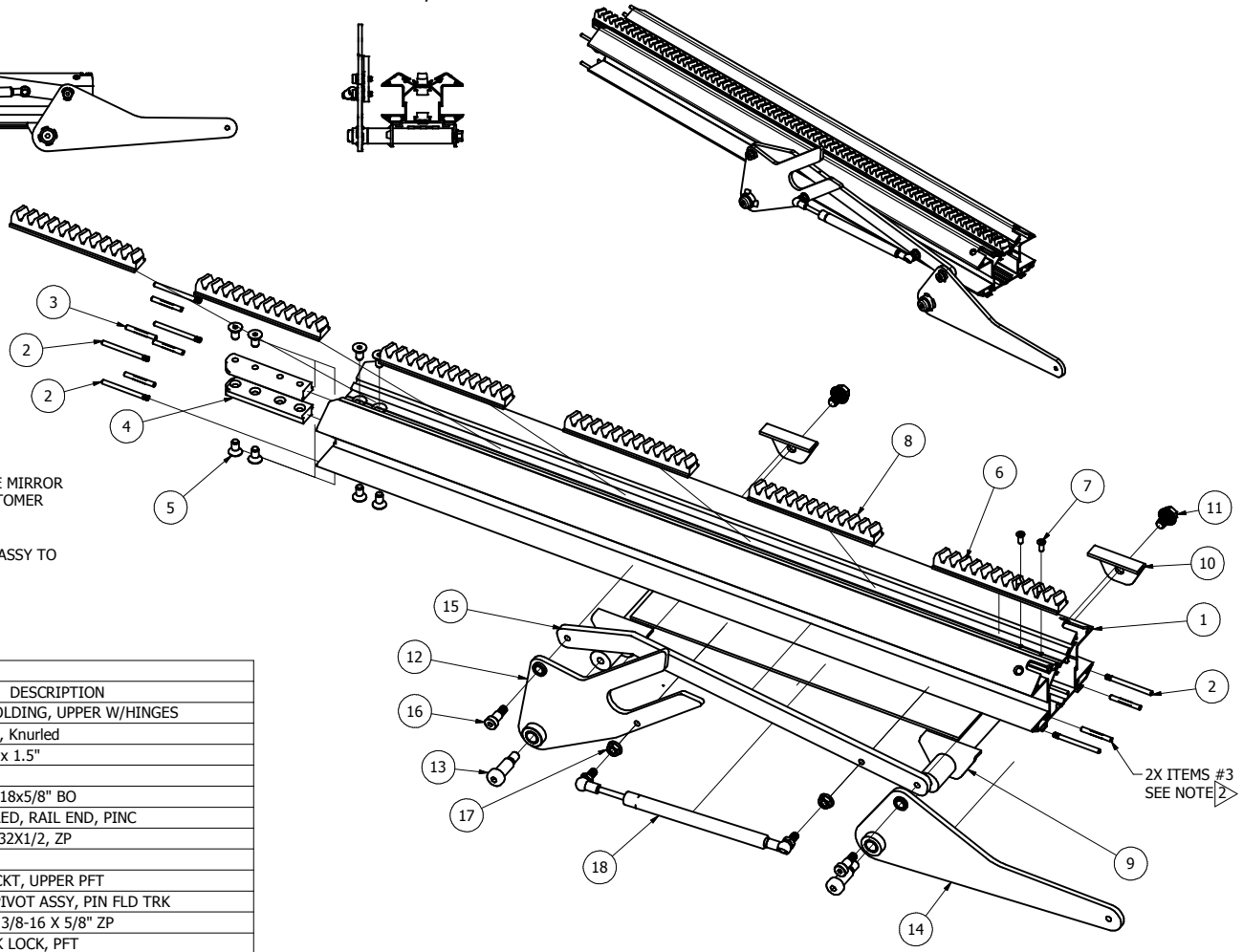


DETAIL A  
SCALE 1 / 3

NOTES:

1. THIS ASSEMBLY CAN BE PUT TOGETHER LEFT-HAND AS SHOWN OR AS THE MIRROR IMAGE OF IT, RIGHT-HAND. ALL OF THE PARTS USED ARE THE SAME. CUSTOMER ORDER WILL SPECIFY WHICH 'HAND' TO ASSEMBLE.

2. TWO ITEMS #3 USED IN LOWER-SIDE CENTER MUST BE GROUND BEFORE ASSY TO ADD CHAMFER SHOWN.



PARTS LIST			
ITEM	QTY	PART NUMBER	DESCRIPTION
1	1	75214	TRACK SECTION, FOLDING, UPPER W/HINGES
2	6	10761	Drive Pin, .188x2.33, Knurled
3	6	10703	Pin, Drive-Lok, .188 x 1.5"
4	2	3070	Rail Splice Bar
5	8	10726	Screw,SKT-FH,5/16-18x5/8" BO
6	1	75205	WORM RACK, DRILLED, RAIL END, PINC
7	2	10309	SCREW, FH-MS, 10-32X1/2, ZP
8	5	3060	Rail Worm Rack
9	1	77203	WLDT, PIVOT BRACKT, UPPER PFT
10	2	75202	RETAINER, UPPER PIVOT ASSY, PIN FLD TRK
11	2	10406	SCREW, HH-SR-MS, 3/8-16 X 5/8" ZP
12	1	77208	PIVOT FORK, TRACK LOCK, PFT
13	2	10230	Screw, SKT-SH, 1/2 x 1 Z/P
14	1	77207	WLDT, LIFT ARM SLIDING, PINC FLDG TRK
15	1	75206	LINK ARM, 17 5/8" , PINC FLDG TRK
16	2	10763	Screw, SKT-SH, 3/8 X 1/2" SHOULDER
17	2	10059	Nut, HH-SR, 5/16-18, ZP
18	1	76019	GAS SPRING, 15.24 LG 5.47 STRK 30 LBS BALL ENDS

DRAWN bob.hrenchir 3/7/2011  
CHECKED

**Harmar** 18505 E. 163rd St.  
Lake Winnebago, MO 64034  
816-537-0611

This document is the property of Harmar and is delivered upon the express condition that the contents will not be disclosed or used without the written consent of Harmar.

TITLE  
**SUBASSY, UPPER FOLDING SECTION, PIN FLD TRK**

THIRD ANGLE PROJECTION

Tolerance UNO  
X ±.1  
.XX ±.01  
.XXX ±.005  
Holes ±.005  
Ang ±.5°

SIZE	FINISH	DWG NO	REV
C		79203	D

SCALE SHEET 1 OF 1