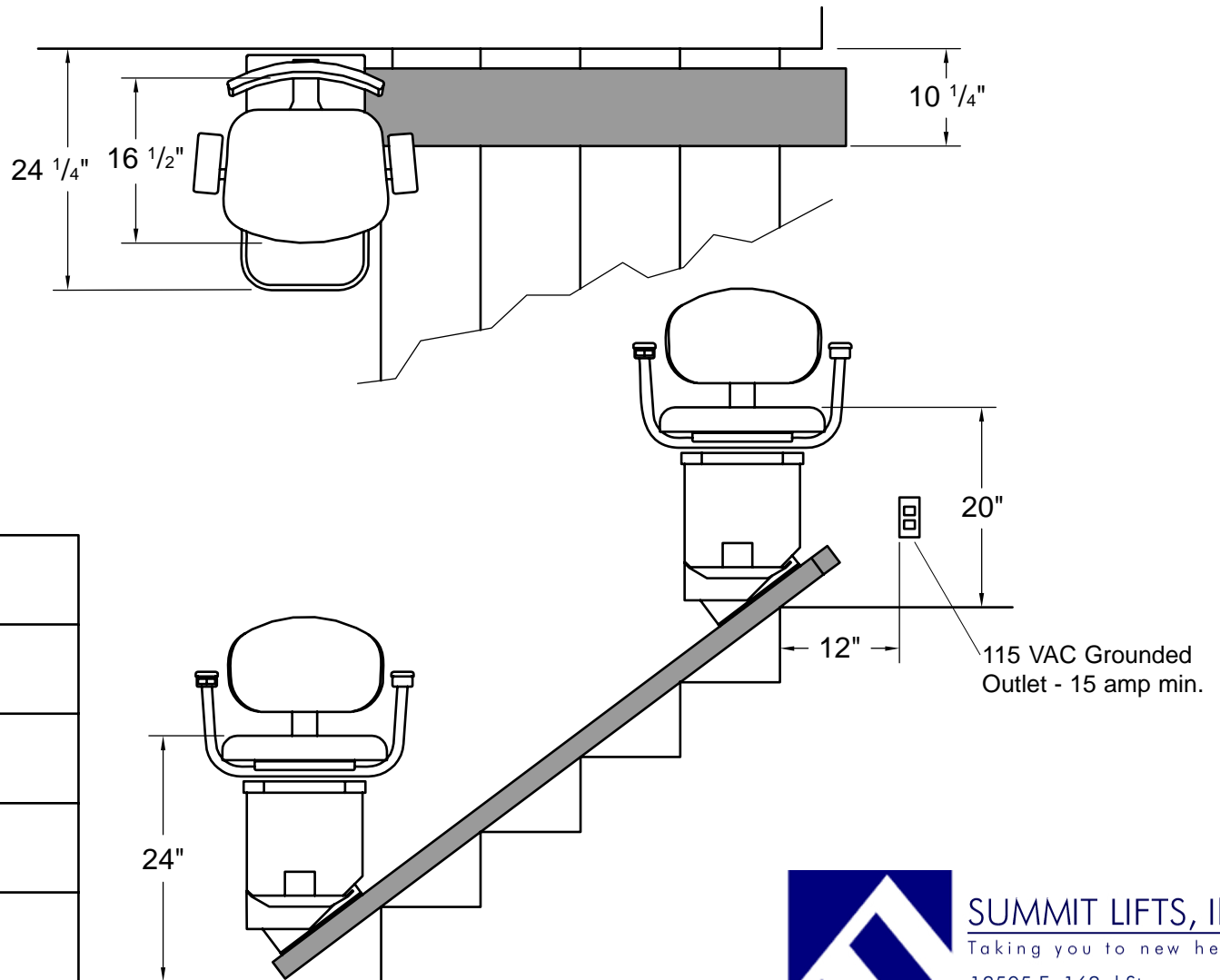
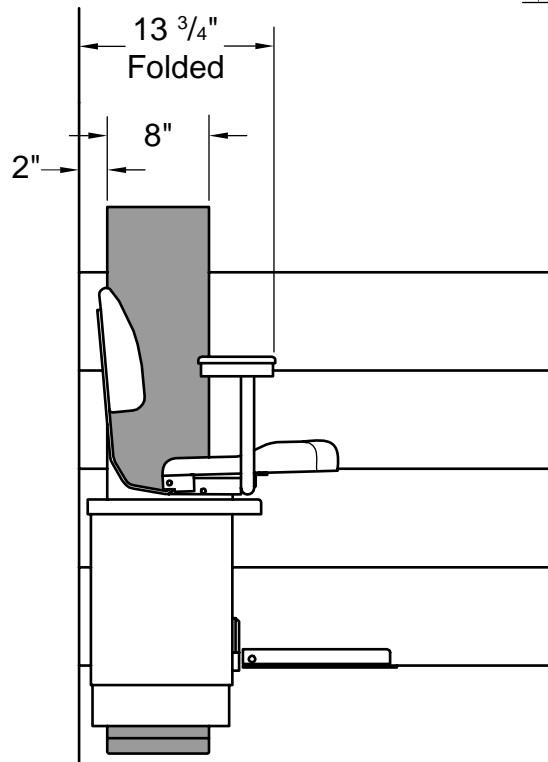


Summit® Stair Lift

General Specifications

Rated Load	300 lbs.
Speed	20 feet per minute
Travel	20' maximum
Electrical Req.	115 VAC grounded outlet
Incline Limits	30° to 45°
Brake	Self-locking worm gear
Drive System	3/16" dia. aircraft cable
UL and cUL listed components	



Note: Lift designed to comply with ASME A18.1-2005 standards.



SUMMIT LIFTS, INC.

Taking you to new heights

18505 E. 163rd St.
Lake Winnebago, MO 64034
Phone: 866-378-6648
Fax: 816-537-0461
www.summitlifts.com